

+NURO6-WHT-V1



POWERED BY ILLUMUS. BRANDS

Bluetooth Plug n Play Long Range PIR Sensor

FEATURES

- Plug n Play Bluetooth Groupable Sensor designed for Luminaire Level Lighting Control (LLLC)
 - PIR Motion Sensing
 - Occupancy/Vacancy Sensing
 - Daylight Harvesting
 - Hold Time
 - Standby Time/Level
 - High/Low End Trim
 - Background Light Level
 - Groupable
 - Zoning
 - Scheduling
- Compatible with Wireless & Wired Wall Switches
- Easily Controlled via Mobile Phone or Tablet with NUROAir app
- Available on iOS and Google Play Stores



LEARN MORE
BY VISITING
OUR WEBSITE



SCAN OR
CLICK HERE



DIGITAL NAVIGATION

Explore the spec sheet through the links below

COMPATIBLE FIXTURES	SUITABLE APPLICATIONS
DEFAULT FACTORY SETTINGS	RESTORE FACTORY SETTINGS
FEATURES BREAKDOWN	LINE DRAWINGS
SENSOR COVERAGE PATTERN	WIRING DIAGRAM
MATING RECEPTACLE	APP DOWNLOAD

SPECIFICATIONS: +NURO6-WHT-V1

Input Voltage	DC 12V	Bluetooth Transmit	150ft Max	Operating Temperature	-30°C to 55°C, -22°F to 131°F
Input Current	50mA Max	Radio Frequency	2.4GHz ± 75MHz	IP Rating	IP65/Wet location
Input Power	0.6W	Bluetooth Version	5	Color	White
Output Current	10mA Max	Housing Material	UL 94-5VA Nylon	Warranty	5 year warranty
Output Power	0.1W	Detection Range	40-80ft	Compliance	UL Listed LED Controller FCC ID: 2BLDONUROSENIA
Dimming	Class 2, 0-10V DC	Mounting Height	20-40ft		
Sinking Current	10mA Max	Location	Outdoor usage		

COMPATIBLE FIXTURES

- [EVT2 Linear High Bay](#)
- [EDV2 Linear High Bay](#)
- [RB5 Round High Bay](#)
- [VVT Vapor Tight](#)
- [BL Vapor Tight](#)
- [WTZ Vapor Tight](#)

SUITABLE APPLICATIONS

- Education
- Healthcare
- Food Processing
- Manufacturing Plants
- Industrial
- Parking Garage
- Distribution Centers
- Gymnasiums
- Wet Locations
- Warehouses

Bluetooth Plug n Play Long Range PIR Sensor

DEFAULT FACTORY SETTINGS

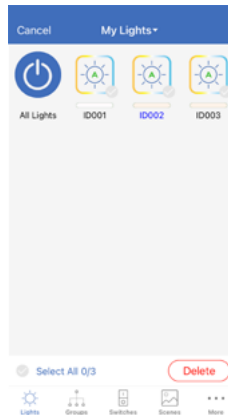
Motion Sensor = ON	Standby Level = 50%	Daylight Harvesting Min. Dim. = 1%
Daylight Harvesting = OFF	Detection Sensitivity = 100%	Occupancy/Vacancy Mode = Occupancy
Hold Time = 20 min	High-End Trim = 100%	Background Light = OFF
Standby Time = 1 min	Low-End Trim = 1%	Background Light Level = 100%

RESTORE FACTORY SETTINGS

In the event that a sensor-integrated light does not appear on the Lights page of the app, it may have been previously assigned to another zone. To resolve this, please follow the steps below to restore the light(s) to the factory settings.

Option 1

The simplest approach is to remove the lights from the app on the Lights page.



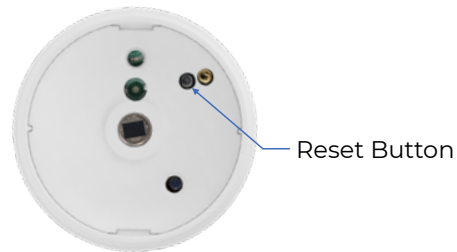
Option 2

Follow the below power reset sequence to restore factory settings.

1. Confirm all lights are off.
2. Turn on lights for 8 seconds; then turn the power off for 10 seconds.
3. Immediately turn the lights on and off, then wait for another 10 seconds. Repeat 3 times.
4. Turn the lights on for 8 seconds, then turn the power off for another 10 seconds. Repeat 2 times.
5. Turn the lights back on. Blinking Lights indicate a successful factory reset. All previous settings and data for these lights have now been deleted.

Option 3

1. Press and hold the Reset Button under the lens for three seconds, then release the Reset Button.
2. After reset, the indicator will flash blue quickly and you may pair it with the app within 30 seconds.



FEATURES BREAKDOWN

PIR Motion Sensing

Lights connected to motion sensors with the function enabled can automatically turn on when motion is detected, and dim or turn off when no motion is detected, based on the preset Mode, Hold Time, Standby Time, and Standby Level settings applied.

Occupancy/Vacancy Sensing

Occupancy Sensing: Lights will automatically turn on when motion is detected and turn off when no motion is detected after the preset Standby Time.

Vacancy Sensing: Lights will automatically turn off when no motion is detected after the preset Standby Time. They can only be turned back on manually and will not be triggered by motion detection.

Bluetooth Plug n Play Long Range PIR Sensor

FEATURES BREAKDOWN

Daylight Harvesting:

Daylight harvesting intelligently adjusts artificial lighting based on the amount of natural light available in a space. By monitoring ambient light levels, the system automatically dims or turns off lights when sufficient daylight is present, ensuring an optimal balance between natural and artificial light.

Hold Time

Adjusts the duration that lights remain on after motion is detected, before taking a secondary action such as dimming or turning off the lights.

Standby Time/Level

Standby Time begins after the Hold Time elapses without detecting motion. During Standby Time, the lights will dim to the specified Standby Level and will turn off once Standby Time ends. The Standby Level represents the percentage of the Auto Mode Level to which the lights are dimmed during Standby Time.

Auto Mode: Lights with motion, daylight harvesting or photocell sensor connected and enabled can be automatically turned on/off or dimmed up/down in Auto Mode according to the settings applied. Lights in Auto Mode have a letter A in the center of their icons on the app. The preset level of brightness/color is Auto Mode Level.

High/Low End Trim

Enables adjustment of maximum and minimum brightness to create a customized lighting experience. Automated high and low-end trim levels can be programmed in the app to activate automatically when motion is detected (High End Trim) or once the Standby Time/Level has elapsed (Low End Trim).

Background Light Level

When Background Light is enabled for a group, lights that have not directly detected motion will adjust to a specified percentage of the Auto Mode Level after Hold Time if another light in the same group detects motion. This specified percentage of Auto Mode Level is Background Light Level. The lights not directly detecting motion will be triggered back to the Background Light Level when another light in the same group directly detects motion. Background Light Level will override Standby Level previously set.

Groupable

Once lights are added to a zone, a group called "All Lights" will be automatically created, containing all the lights in that zone. Lights within the same group can be adjusted collectively, including settings like brightness and color. For more accurate color tuning, it is recommended to create groups with lights that share similar CCT ranges. A single light can be a member of up to 20 different groups. Each group can support up to 100 lights..

Zoning

Each zone is a separate lighting control mesh system that includes all associated lights, groups, switches, scenes, and schedules. A single zone can accommodate up to 100 lights, 32 switches, 127 scenes, and 32 schedules. For larger installations, multiple zones can be created. The number of zones is unlimited with the NUROAir lighting control system.

Scheduling

A schedule consists of one-time or recurring commands that instruct specific lights to perform a selected action at a preset time. Schedules can be applied to individual lights, groups, or scenes. For easy recognition across different pages of the app, it is recommended to keep schedule names within 6 characters.

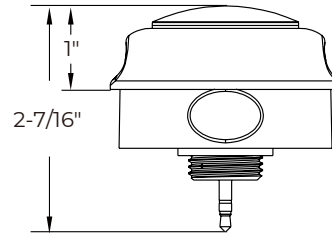
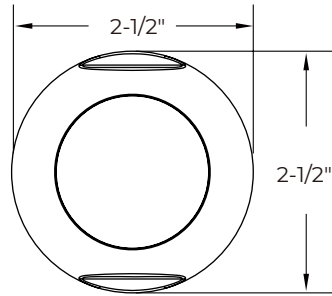
Wireless & Wired Wall Switches

NUROAir switches can be added to the system on the app and associated with lights for easy control. Each zone can contain up to 32 switches. One switch can be associated with one light or one group only in the zone. Add more switches to control multiple Lights or Groups separately. Note: Do not add the same switch to different zones to ensure proper working of the switch. Remove it from the previous zone first if need to add to another zone.

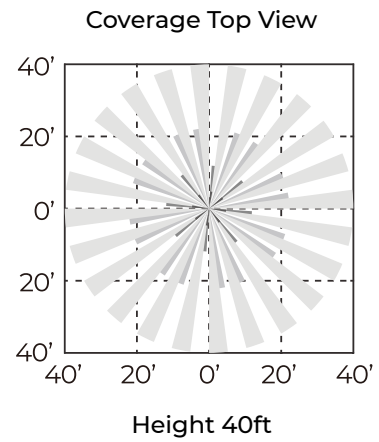
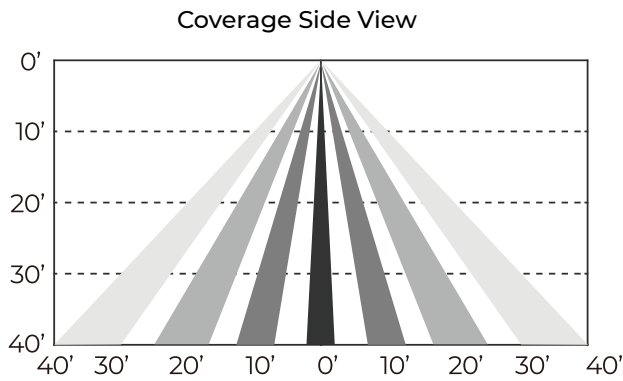
+NURO6-WHT-V1

Bluetooth Plug n Play Long Range PIR Sensor

LINE DRAWINGS



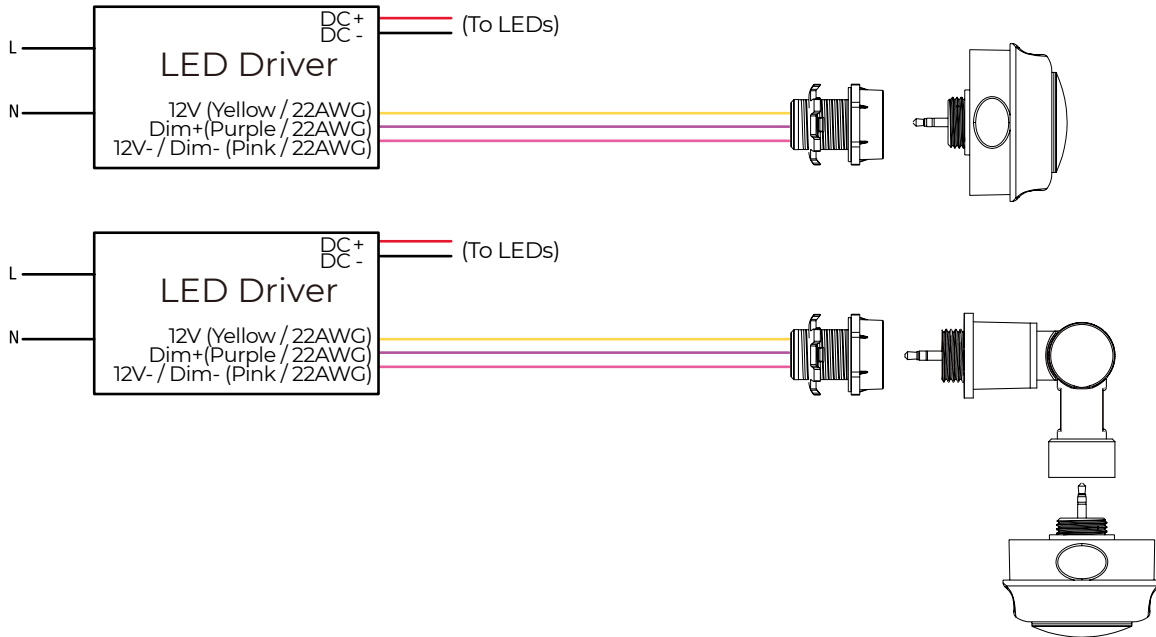
SENSOR COVERAGE PATTERN



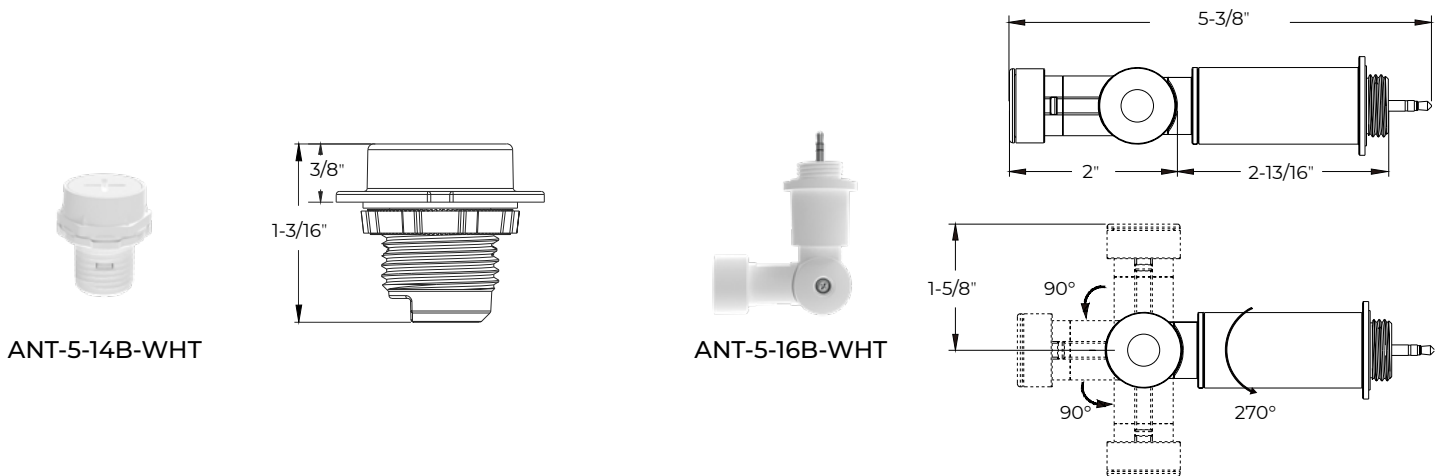
+NURO6-WHT-V1

Bluetooth Plug n Play Long Range PIR Sensor

WIRING DIAGRAM



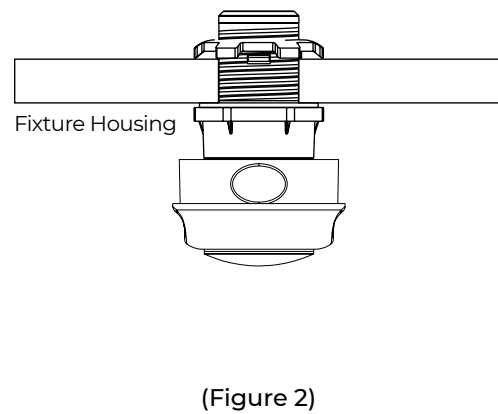
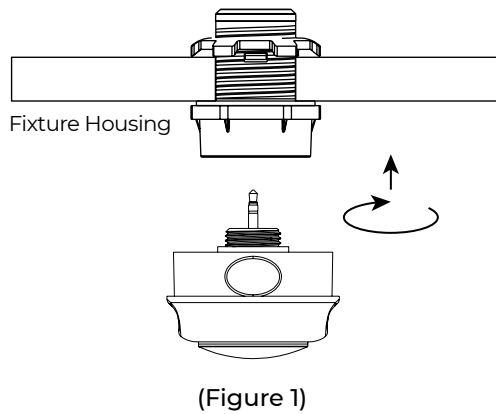
MATING RECEPTACLE



Bluetooth Plug n Play Long Range PIR Sensor

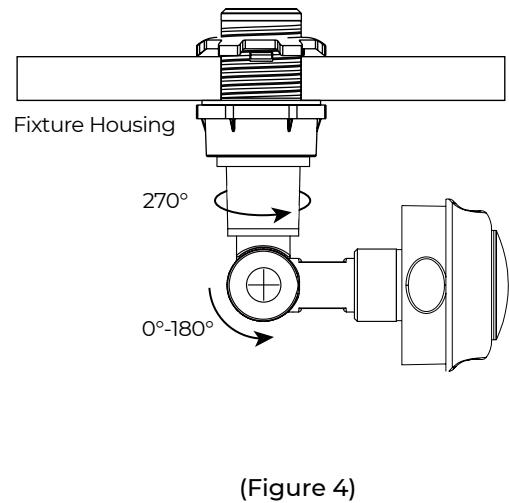
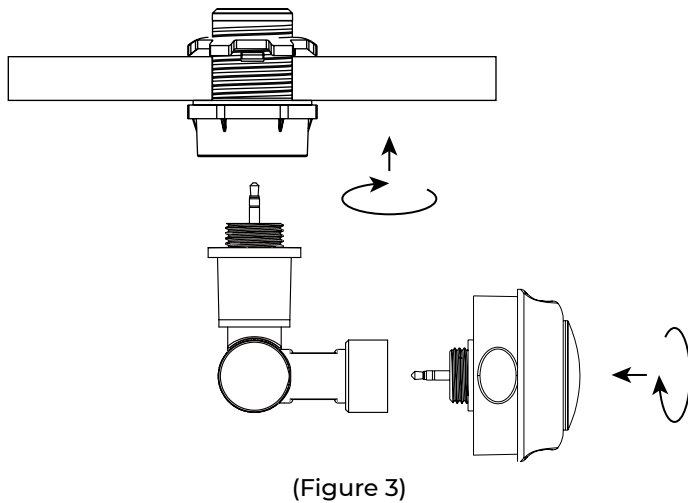
Receptacle Installation Instructions

- Install the sensor +NURO6-WHT-V1 in to the socket ANT-5-14B-WHT (Figure 1) to finish (Figure 2).



Extension Elbow Mount Installation Instructions

- Install the extension elbow ANT-5-16B-WHT to the socket ANT-5-14B-WHT (Figure 3).
- Install the sensor +NURO6-WHT-V1 to the extension elbow ANT-5-16B-WHT to finish (Figure 3 & Figure 4).
- To adjust the sensor's detective direction, loosen the screw on the elbow, set it to the desired angle, and then tighten the screw again.

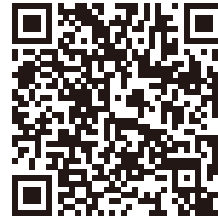


+NURO6-WHT-V1

Bluetooth Plug n Play Long Range PIR Sensor



APP DOWNLOAD



Note: All rights reserved. All sizes and specifications are subject to change at any time without notice.