

# +NURO6-BLK-V1



POWERED BY ILLUMUS. BRANDS

## Bluetooth Plug n Play Long Range PIR Sensor

### FEATURES

- Plug n Play Bluetooth Groupable Sensor designed for Luminaire Level Lighting Control (LLLC)
  - PIR Motion Sensing
  - Occupancy/Vacancy Sensing
  - Photocell
  - Hold Time
  - Standby Time/Level
  - High/Low End Trim
  - Background Light Level
  - Groupable
  - Zoning
  - Scheduling
- Compatible with Wireless & Wired Wall Switches
- Easily Controlled via Mobile Phone or Tablet with NUROAir app
- Available on iOS and Google Play Stores



LEARN MORE  
BY VISITING  
OUR WEBSITE



SCAN OR  
CLICK HERE



### DIGITAL NAVIGATION

Explore the spec sheet through the links below

<a href="#">COMPATIBLE FIXTURES</a>	<a href="#">SUITABLE APPLICATIONS</a>
<a href="#">DEFAULT FACTORY SETTINGS</a>	<a href="#">RESTORE FACTORY SETTINGS</a>
<a href="#">FEATURES BREAKDOWN</a>	<a href="#">LINE DRAWINGS</a>
<a href="#">SENSOR COVERAGE PATTERN</a>	<a href="#">WIRING DIAGRAM</a>
<a href="#">MATING RECEPTACLE</a>	<a href="#">APP DOWNLOAD</a>

### SPECIFICATIONS: +NURO6-BLK-V1

<b>Input Voltage</b>	DC 12V	<b>Bluetooth Transmit</b>	150ft Max	<b>Operating Temperature</b>	-30°C to 55°C, -22°F to 131°F
<b>Input Current</b>	50mA Max	<b>Radio Frequency</b>	2.4GHz ± 75MHz	<b>IP Rating</b>	IP65/Wet location
<b>Input Power</b>	0.6W	<b>Bluetooth Version</b>	5	<b>Color</b>	Black
<b>Output Current</b>	10mA Max	<b>Housing Material</b>	UL 94-5VA Nylon	<b>Warranty</b>	5 year warranty
<b>Output Power</b>	0.1W	<b>Detection Range</b>	40-80ft	<b>Compliance</b>	UL Listed LED Controller FCC ID: 2BLDONUROSENIA
<b>Dimming</b>	Class 2, 0-10V DC	<b>Mounting Height</b>	20-40ft		
<b>Sinking Current</b>	10mA Max	<b>Location</b>	Outdoor usage		

### COMPATIBLE FIXTURES

- [OW2 Wall Pack](#)
- [SWP2 Slim Wall Pack 2.0](#)
- [Viewpoint Wall Pack 2.0](#)
- [Viewpoint Area Light 2.0](#)
- [Viewpoint Canopy](#)
- [Skyline Area Light](#)
- [UFO Parking Garage](#)
- [Skyline Wall Pack](#)

### SUITABLE APPLICATIONS

- Exterior Wall Lighting
- Building Entrances
- Pedestrian Walkways
- Industrial Facilities
- Shopping Centers
- Office
- Multi-Family
- Parking Lots
- Parking Structure
- Parks
- Education
- Hospitals
- Car Dealerships
- Roadways

## Bluetooth Plug n Play Long Range PIR Sensor

### DEFAULT FACTORY SETTINGS

Motion Sensor = ON	Standby Level = 50%	Photocell ON Threshold = 50FC
Hold Time = 20 min	Detection Sensitivity = 100%	Photocell OFF Threshold = 150FC
Standby Time = 1 min	High-End Trim = 100%	Background Light = OFF
Occupancy/Vacancy Mode = Occupancy	Low-End Trim = 1%	Background Light Level = 100%

### RESTORE FACTORY SETTINGS

In the event that a sensor-integrated light does not appear on the Lights page of the app, it may have been previously assigned to another zone. To resolve this, please follow the steps below to restore the light(s) to the factory settings.

#### Option 1

The simplest approach is to remove the lights from the app on the Lights page.



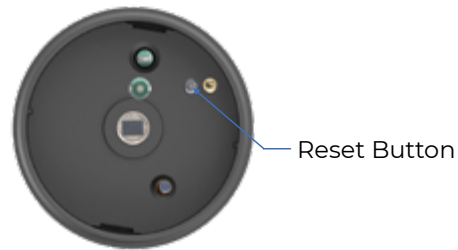
#### Option 2

Follow the below power reset sequence to restore factory settings.

1. Confirm all lights are off.
2. Turn on lights for 8 seconds; then turn the power off for 10 seconds.
3. Immediately turn the lights on and off, then wait for another 10 seconds. Repeat 3 times.
4. Turn the lights on for 8 seconds, then turn the power off for another 10 seconds. Repeat 2 times.
5. Turn the lights back on. Blinking Lights indicate a successful factory reset. All previous settings and data for these lights have now been deleted.

#### Option 3

1. Press and hold the Reset Button under the lens for three seconds, then release the Reset Button.
2. After reset, the indicator will flash blue quickly and you may pair it with the app within 30 seconds.



### FEATURES BREAKDOWN

#### PIR Motion Sensing

Lights connected to motion sensors with the function enabled can automatically turn on when motion is detected, and dim or turn off when no motion is detected, based on the preset Mode, Hold Time, Standby Time, and Standby Level settings applied.

#### Occupancy/Vacancy Sensing

Occupancy Sensing: Lights will automatically turn on when motion is detected and turn off when no motion is detected after the preset Standby Time.

Vacancy Sensing: Lights will automatically turn off when no motion is detected after the preset Standby Time. They can only be turned back on manually and will not be triggered by motion detection.

## Bluetooth Plug n Play Long Range PIR Sensor

### FEATURES BREAKDOWN

#### Photocell

Lights connected with Photocell Threshold sensors can be automatically turned on/off along with the change of ambient light levels according to the threshold settings applied.

#### Hold Time

Adjusts the duration that lights remain on after motion is detected, before taking a secondary action such as dimming or turning off the lights.

#### Standby Time/Level

Standby Time begins after the Hold Time elapses without detecting motion. During Standby Time, the lights will dim to the specified Standby Level and will turn off once Standby Time ends. The Standby Level represents the percentage of the Auto Mode Level to which the lights are dimmed during Standby Time.

Auto Mode: Lights with motion, daylight harvesting or photocell sensor connected and enabled can be automatically turned on/off or dimmed up/down in Auto Mode according to the settings applied. Lights in Auto Mode have a letter A in the center of their icons on the app. The preset level of brightness/color is Auto Mode Level.

#### High/Low End Trim

Enables adjustment of maximum and minimum brightness to create a customized lighting experience. Automated high and low-end trim levels can be programmed in the app to activate automatically when motion is detected (High End Trim) or once the Standby Time/Level has elapsed (Low End Trim).

#### Background Light Level

When Background Light is enabled for a group, lights that have not directly detected motion will adjust to a specified percentage of the Auto Mode Level after Hold Time if another light in the same group detects motion. This specified percentage of Auto Mode Level is Background Light Level. The lights not directly detecting motion will be triggered back to the Background Light Level when another light in the same group directly detects motion. Background Light Level will override Standby Level previously set.

#### Groupable

Once lights are added to a zone, a group called "All Lights" will be automatically created, containing all the lights in that zone. Lights within the same group can be adjusted collectively, including settings like brightness and color. For more accurate color tuning, it is recommended to create groups with lights that share similar CCT ranges. A single light can be a member of up to 20 different groups. Each group can support up to 100 lights..

#### Zoning

Each zone is a separate lighting control mesh system that includes all associated lights, groups, switches, scenes, and schedules. A single zone can accommodate up to 100 lights, 32 switches, 127 scenes, and 32 schedules. For larger installations, multiple zones can be created. The number of zones is unlimited with the NUROAir lighting control system.

#### Scheduling

A schedule consists of one-time or recurring commands that instruct specific lights to perform a selected action at a preset time. Schedules can be applied to individual lights, groups, or scenes. For easy recognition across different pages of the app, it is recommended to keep schedule names within 6 characters.

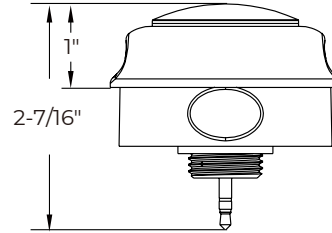
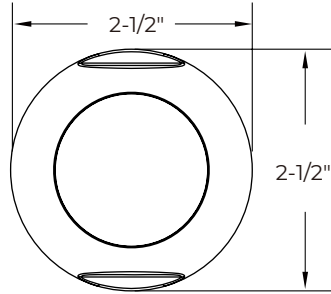
#### Wireless & Wired Wall Switches

NUROAir switches can be added to the system on the app and associated with lights for easy control. Each zone can contain up to 32 switches. One switch can be associated with one light or one group only in the zone. Add more switches to control multiple Lights or Groups separately. Note: Do not add the same switch to different zones to ensure proper working of the switch. Remove it from the previous zone first if need to add to another zone.

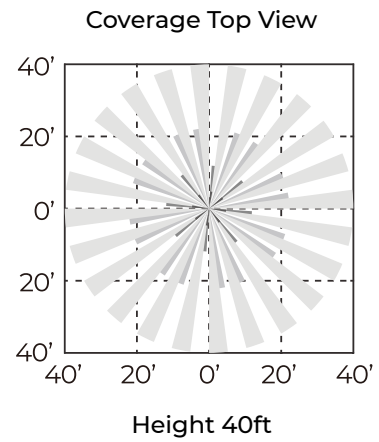
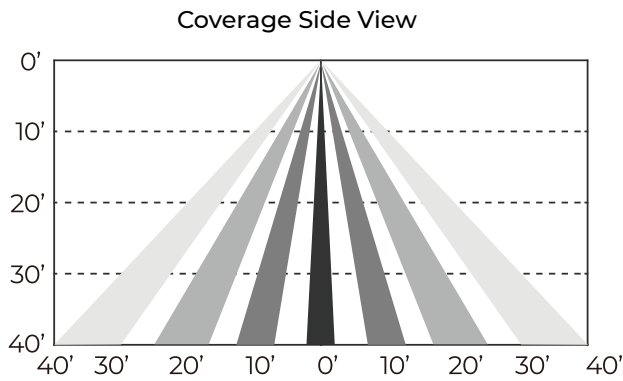
# +NURO6-BLK-V1

## Bluetooth Plug n Play Long Range PIR Sensor

### LINE DRAWINGS



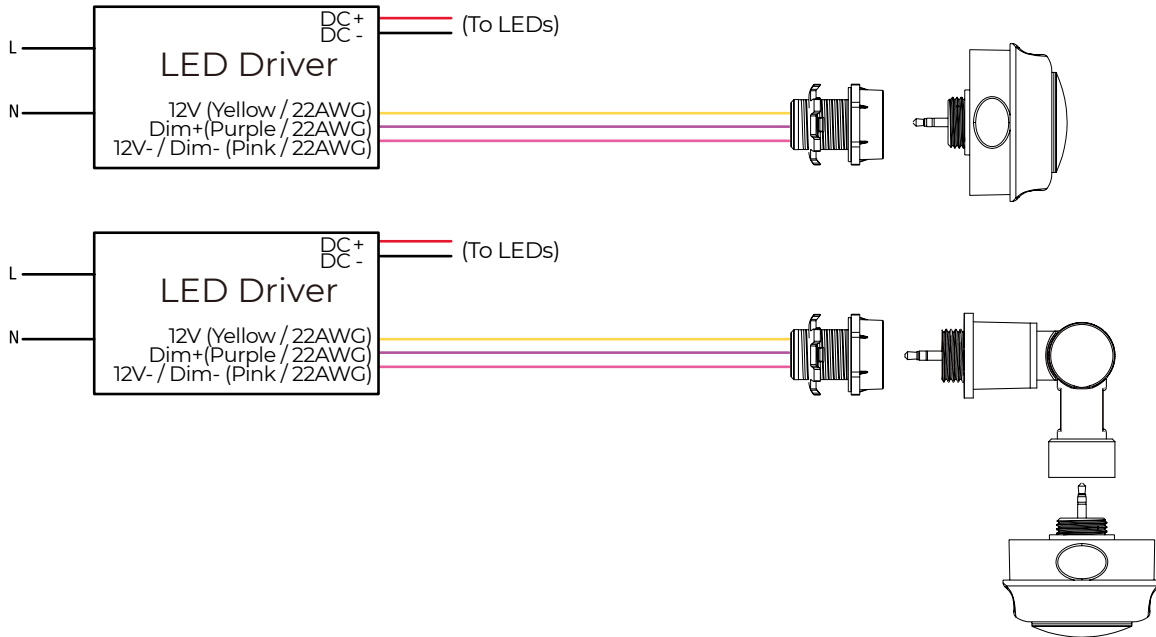
### SENSOR COVERAGE PATTERN



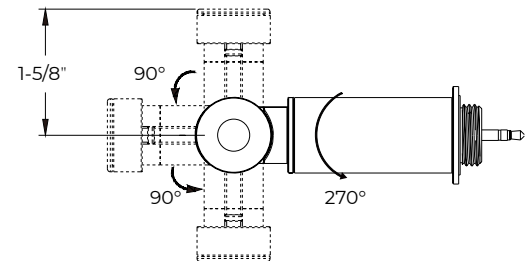
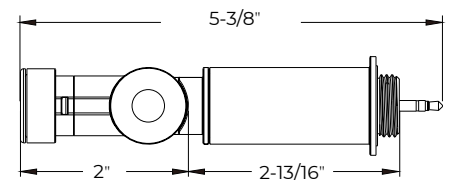
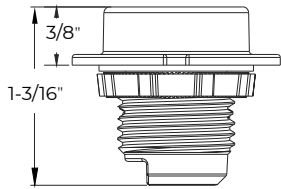
# +NURO6-BLK-V1

## Bluetooth Plug n Play Long Range PIR Sensor

### WIRING DIAGRAM



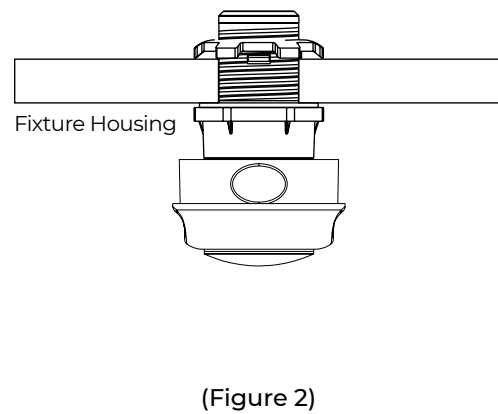
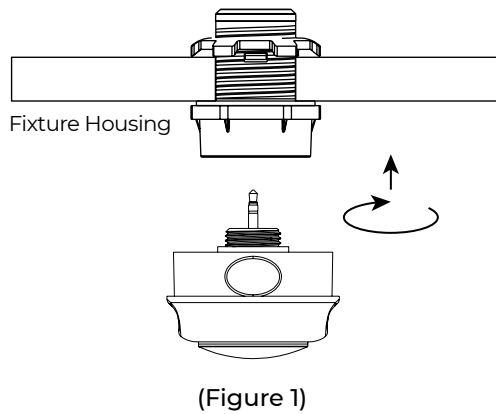
### MATING RECEPTACLE



## Bluetooth Plug n Play Long Range PIR Sensor

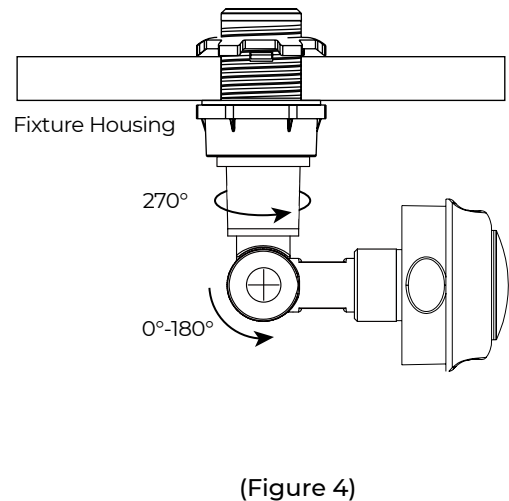
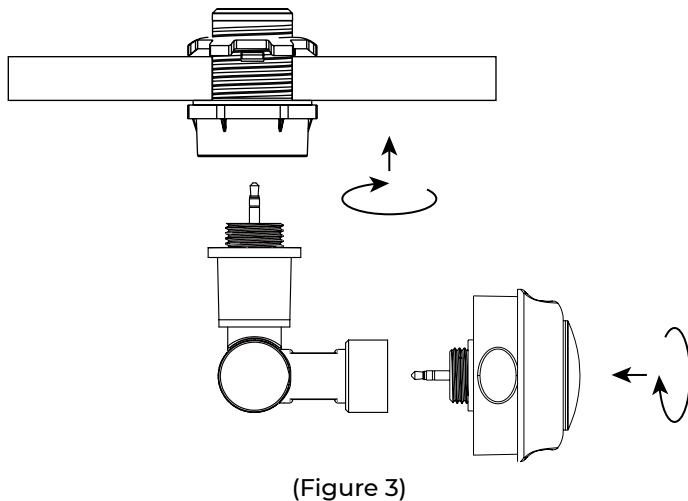
### Receptacle Installation Instructions

- Install the sensor +NURO6-AUX-BLK-V1 in to the socket ANT-5-14B-BLK (Figure 1) to finish (Figure 2).



### Extension Elbow Mount Installation Instructions

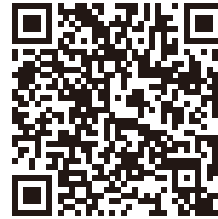
- Install the extension elbow ANT-5-16B-BLK to the socket ANT-5-14B-BLK (Figure 3).
- Install the sensor +NURO6-AUX-BLK-V1 to the extension elbow ANT-5-16B-BLK to finish (Figure 3 & Figure 4).
- To adjust the sensor's detective direction, loosen the screw on the elbow, set it to the desired angle, and then tighten the screw again.



# +NURO6-BLK-V1

## Bluetooth Plug n Play Long Range PIR Sensor

### APP DOWNLOAD



Note: All rights reserved. All sizes and specifications are subject to change at any time without notice.