

NURO-SW-7B-AC-BL-WP-V1



POWERED BY ILLUMUS. BRANDS

7-Button Bluetooth Wired Wall Switch

FEATURES

- 7-Button Bluetooth Wired Wall Switch
- Powered via Line Voltage (120-277VAC)
- Bluetooth Transmission Range of up 100ft
- Turn On / Turn Off functions provided
- Allows for Dimming control Up or Down
- Set Four different Customizable Scenes
- Wall Plate Included
- Easily Controlled via Mobile Phone or Tablet with NUROAir app
- Available on iOS and Google Play Stores

LEARN MORE
BY VISITING
OUR WEBSITE



SCAN OR
CLICK HERE



DIGITAL NAVIGATION

Explore the spec sheet through the links below

[COMPATIBLE FIXTURES](#)
[SUITABLE APPLICATIONS](#)
[RESTORE FACTORY SETTINGS](#)
[LINE DRAWINGS](#)
[WIRING DIAGRAM](#)
[BUTTON CONFIGURATIONS](#)
[APP DOWNLOAD](#)


SPECIFICATIONS: NURO-SW-7B-AC-BL-WP-V1

Input Voltage	120-277VAC
Frequency	50/60Hz
Input Power	0.07W
Bluetooth Transmit	100ft Max
Radio Frequency	2.4GHz ± 75MHz

Bluetooth Version	5
Housing Material	UL 94-5VA
Location	Indoor use only
Operating Temperature	0°C to 40°C, 32°F to 104°F
IP Rating	IP20

Color	Plate/White, Housing/Black
Warranty	5 year warranty
Compliance	UL Listed LED Controller FCC ID: 2BLDONUROSWTIA

COMPATIBLE FIXTURES

- All NUROAir Compatible Fixtures

SUITABLE APPLICATIONS

- Schools
- Warehouses
- Office
- Healthcare
- Auditoriums
- Retail

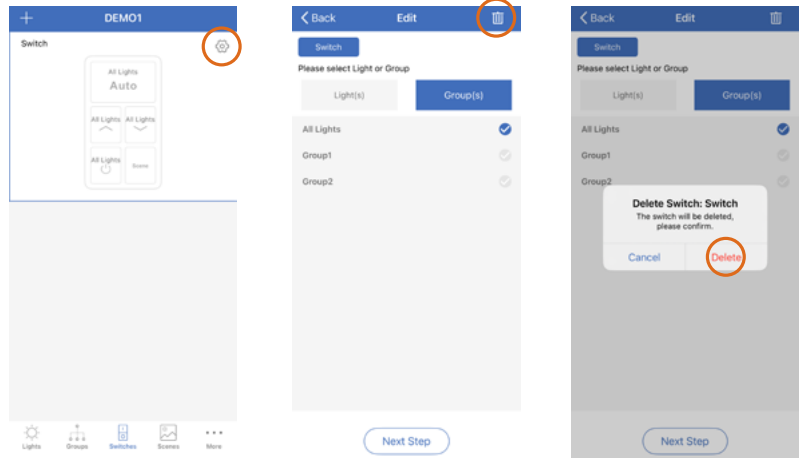
NURO-SW-7B-AC-BL-WP-V1

7-Button Bluetooth Wired Wall Switch

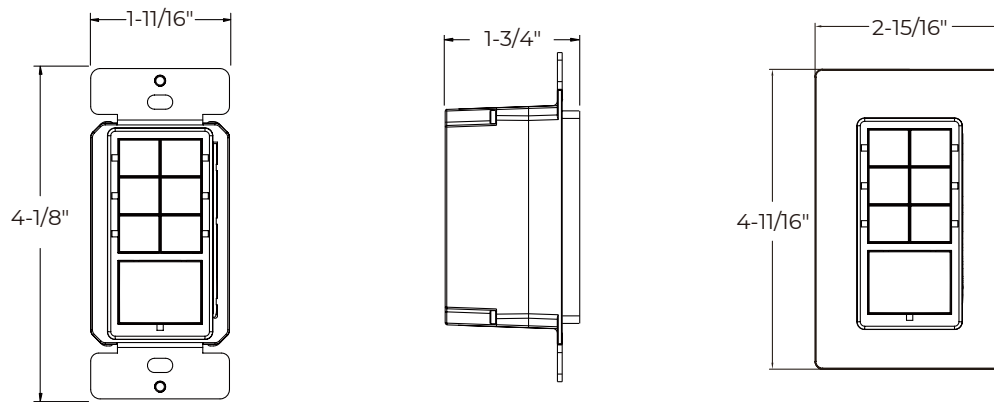
RESTORE FACTORY SETTINGS

In the event that the switch does not appear on the Switches page of the app, it may have been previously assigned to another zone.

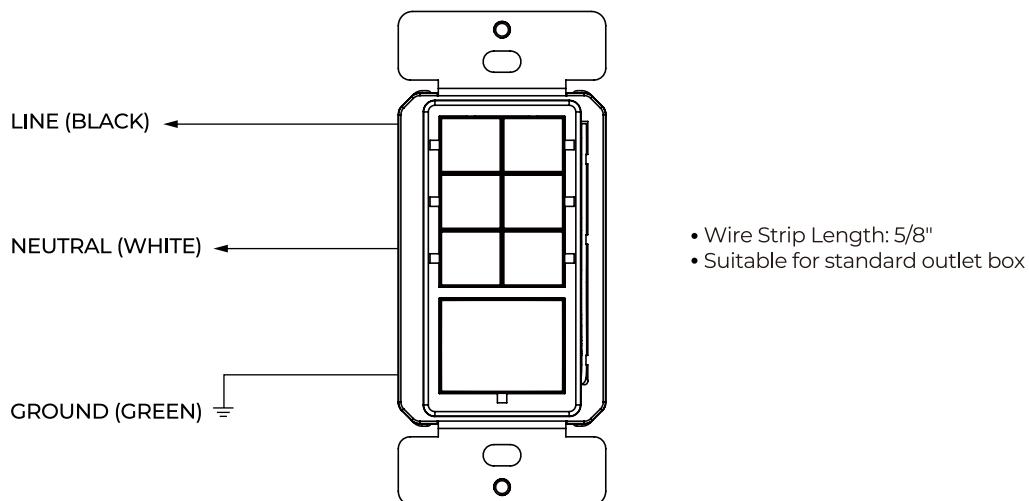
Remove the switch from the app on the Switches page to restore the switch(es) to the factory settings.



LINE DRAWINGS



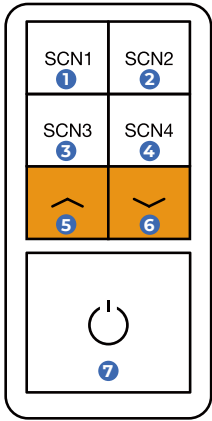
WIRING DIAGRAM



NURO-SW-7B-AC-BL-WP-V1

7-Button Bluetooth Wired Wall Switch

BUTTON CONFIGURATIONS

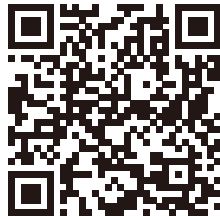


- 1 Scene Switch 1
- 2 Scene Switch 2
- 3 Scene Switch 3
- 4 Scene Switch 4
- 5 Dimming Switch - Up
- 6 Dimming Switch - Down
- 7 ON / OFF

1. To set the switch to pairing mode, press ^ & v together (as shown in orange on image to the left), and hold for 3 seconds, then release them to activate the pairing mode.
2. In NUROAir app "Switch" Section, press + icon on the top left or Click to Add button on the bottom to add the new switch to the app.
3. Switches will automatically stop pairing after 30 seconds or when a button is pressed.



APP DOWNLOAD



Note: All rights reserved. All sizes and specifications are subject to change at any time without notice.